

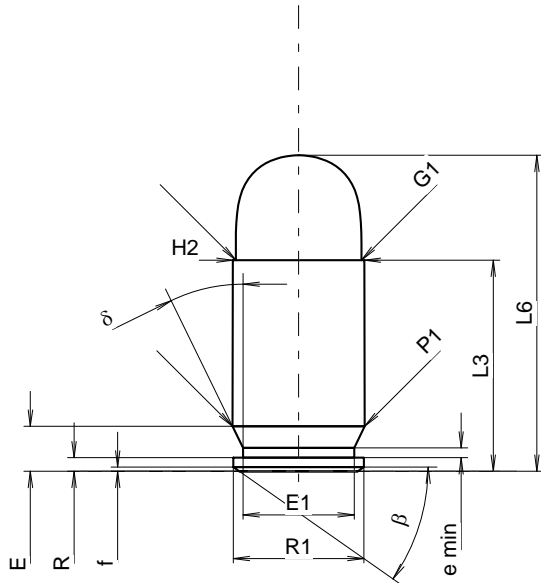
C.I.P.**45 GAP**

TAB. IV

Date 03-06-05

Revision 11-05-25

Country of Origin: AT

**CARTRIDGE MAXI****Lengths**

L1	=		
L2	=		
L3 ¹⁾	=	19.30	-0.25
L4	=		
L5	=		
L6	=	28.89	

Case Head

R	=	1.24	
R1	=	11.94	
R3	=		
E	=	4.11	
E1	=	10.16	
e min	=	0.89	
delta	=	26°	
f	=	0.38	
beta	=	35°	

Powder Chamber

P1	=	12.09	
P2	=		

Junction Cone

alpha	=		
S	=		
r1 min	=		
r2	=		

Collar

H1	=		
H2 ¹⁾	=	12.01	

Projectile

G1 ¹⁾	=	11.48	
G2	=		
F	=		
L3+G ¹⁾	=	25.53	

Pressures (Energies)**Method Transducer**

Pmax	=	1300 bar	
PK	=	1495 bar	
PE	=	1690 bar	
M	=	10.50	

Miscellaneous Dimensions

Fe ¹⁾⁶⁾	=	0.30	
delta L	=		

CHAMBER MINI**Lengths**

L1	=		
L2	=		
L3 ¹⁾	=	19.30	

Breech

R	=		
R1	=	11.97	
R2	=		
R3	=		
r	=		

Powder Chamber

E	=	5.08	
P1 ¹⁾	=	12.18	
P2	=		

Junction Cone

alpha	=		
S	=		
r1 max	=		
r2	=		

Collar

H1	=		
H2 ¹⁾	=	12.04	

Commencement of Rifling

G1 ¹⁾ *	=	11.48	
G ¹⁾ *	=	6.23	
alpha1	=	180°	
h	=		
s	=		
i ¹⁾	=	1°09'	
w	=		

Barrel

F ¹⁾ *	=	11.23	
Z ¹⁾	=	11.43	

Grooves

b	=	3.73	
N	=	6	
u	=	406.00	
Q	=	101.33	mm ²

Scale 1.45:1

Dimensions in << mm >>
 Dimensions and Tolerances for Proof Barrels
 see Appendix CR 1.

Notes: 1) Check for safety reasons
 6) Headspace on Case Mouth
 * Basic dimensions